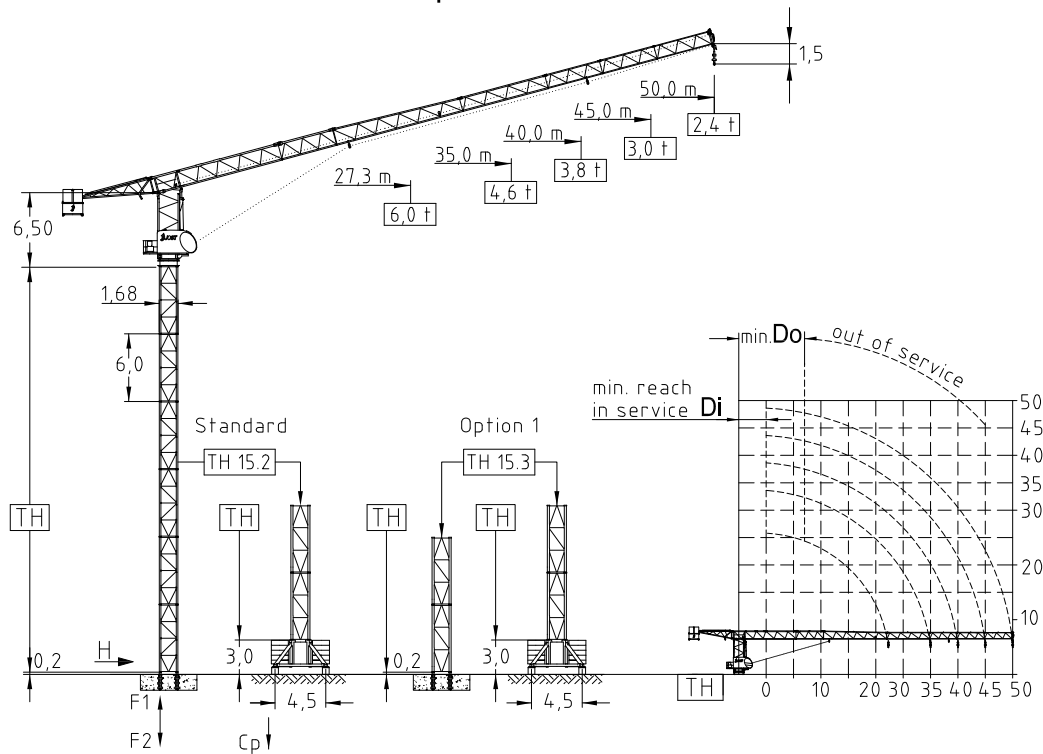


JTL 158.6 - 6,0 ton

Tower TH 15.2 4-fall rope

Topless Luffing crane



Jib (m)	Jib reach (m)		Tower heights all data in (m)			
			Standard Tower		Option 1	
			Foundat.	Chassis	Foundat.	Chassis
	Di	Do	TH 15.2	UC 4,5-15.2	TH 15.3	UC 4,5-15.3
27,3	4,3	12,0	39,0	39,0	51,0	39,0
35,0	4,3	12,0	36,0	33,0	48,0	33,0
40,0	4,3	12,0	33,0	30,0	45,0	30,0
45,0	4,3	10,0	30,0	27,0	42,0	27,0
50,0	4,3	10,0	27,0	24,0	39,0	24,0

EN 14439 : 2008
WIND C 25
ISO 9001 : 2008



Jib		max. Load		Jib reach									
m	rope	t	m	22	25	27,3	30	35	40	45	50		
50,0	⊗	3,0	40,9	3,00	3,00	3,00	3,00	3,00	3,00	2,70	2,40		
	⊗	6,0	21,5	5,68	5,12	6,00	4,21	5,12	3,08	2,70	2,40		
45,0	⊗	3,0	45,0	3,00	3,00	3,00	3,00	3,00	3,00	3,00			
	⊗	6,0	23,7	6,00	5,66	6,00	4,66	3,95	3,42	3,00			
40,0	⊗	3,0	40,0	3,00	3,00	3,00	3,00	3,00	3,00				
	⊗	6,0	26,1	6,00	6,00	6,00	5,17	4,39	3,80				
35,0	⊗	3,0	30,0	3,00	3,00	3,00	3,00						
	⊗	6,0	27,3	6,00	6,00	6,00	5,43	4,60					
27,3	⊗	3,0	27,3	3,00	3,00	3,00							
	⊗	6,0	27,3	6,00	6,00	6,00							

Hoist 22,0 kW FI							
l	t	0,7	1,2	1,8	2,8	3,0	3,0
		m/min	88	72	58	44	38
l	t	1,4	2,4	3,6	5,6	6,0	6,0
	m/min	44	36	29	22	19	11
Drum capacity						550,0 m	

Hoist 30,0 kW FI							
l	t	0,7	1,0	1,6	2,4	3,0	3,0
		m/min	124	114	90	68	58
l	t	1,4	2,0	3,2	4,8	6,0	6,0
	m/min	62	57	45	24	29	16
Drum capacity						970,0 m	

Power requirement
400V (±10%) - 50Hz

Motor	15,0 kW FI	1 x 4,4 kW	2 x 5,0 kW
t/v	2,00 min	0,77 rpm	25,0 m/min
Power requirement		Hoist 22,0 kW	55 kVA
Upper part		Hoist 30,0 kW	65 kVA

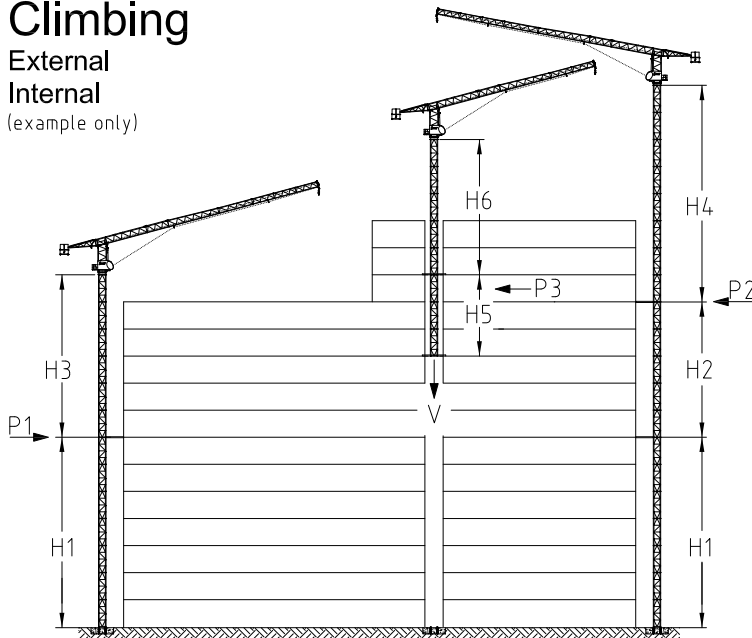
Shipping		
	Truck	Cont.
Top crane	5	6
Tower 2 unit	1	1
Climbing	1	1
Chasis	1	1

Counter weight	
Block 1	2 x 5,5 t
Block 2	1 x 7,2 t
Block 3	2 x 1,7 t
Total	21,6 t

Ropes		
	D (mm)	N/mm ²
Hoist	10,0	1960

Climbing

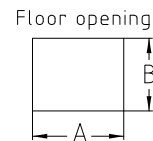
External
Internal
(example only)



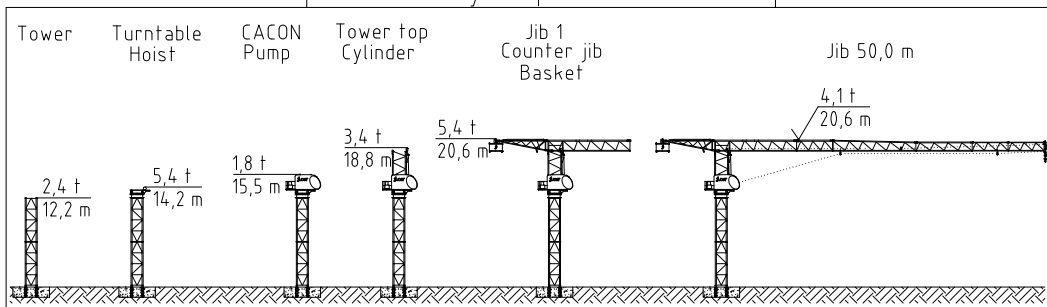
	m	in service	out of service
		t	t
H1	27,0		
H2	18,0		
H3	24,0		
H4	24,0		
H5	14,0		
H6	18,0		
A	2,30		
B	1,80		
P1		94,3	250,4
P2		132,3	257,0
P3		168,5	316,8
V		651,9	551,2

All data with TH 15.2

Jib length 27,3 m



Assembly sequence TH 15.2



Crane on foundation plate

Jib length (m)	Tower height (m)	No. of Towers	Foundation loadings			Corner forces	
			M (kNm)	V (kN)	H (kN)	F1 (kN)	F2 (kN)
50,0	27,0	5,0	3867,0	535,2	112,0	1535,0	- 1803,0
45,0	30,0	5,0	3964,0	544,2	113,6	1560,0	- 1832,0
40,0	33,0	5,5	4078,0	553,7	114,3	1567,0	- 1843,0
35,0	36,0	6,0	4287,0	526,7	122,9	1688,0	- 1951,0
27,3	39,0	6,5	4254,0	531,2	119,6	1522,0	- 1787,0

Crane on chassis

Jib length (m)	Tower height incl. chassis (m)	No. of Towers	in service		out of service		Ballast (t)
			Cp (kN)	H (kN)	Cp (kN)	H (kN)	
50,0	30,0	4,5	898,0	41,2	1187,0	129,2	85,0
45,0	33,0	5,0	937,0	41,0	1198,0	129,8	95,0
40,0	36,0	5,5	962,0	40,8	1194,0	129,4	100,0
35,0	39,0	6,0	1015,0	40,5	1235,0	129,1	115,0
27,3	42,0	6,5	909,0	38,8	1105,0	124,7	105,0

Part list

Part	L (m)	W (m)	H (m)	kg	Part	L (m)	W (m)	H (m)	kg
Jib 01a	12,01	1,17	1,87	3300	Counter jib	7,20	1,18	1,77	1410
Jib 02a	5,29	1,10	1,61	840	Hoist unit & rope	1,63	1,47	0,90	1090
Jib 02	11,82	1,10	1,57	1440	Turn table+slew.unit	2,55	1,90	2,00	4410
Jib 03	7,97	1,10	1,30	780	Tower top	5,55	1,16	2,40	2130
Jib 04	5,14	1,10	1,26	345	CACON & hydraulic	4,80	1,61	2,60	1890
Jib 05	5,11	1,10	1,25	280	Ballast basket	1,80	2,21	1,69	550
Jib 06	5,10	1,10	1,26	200	Hook block	0,70	0,35	1,26	280